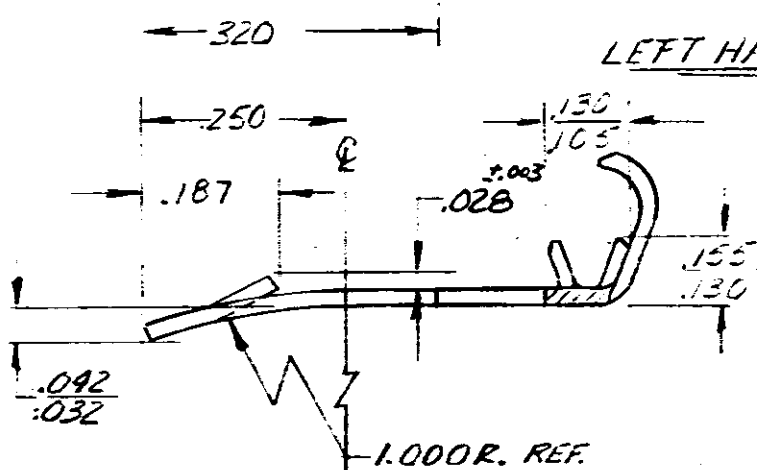
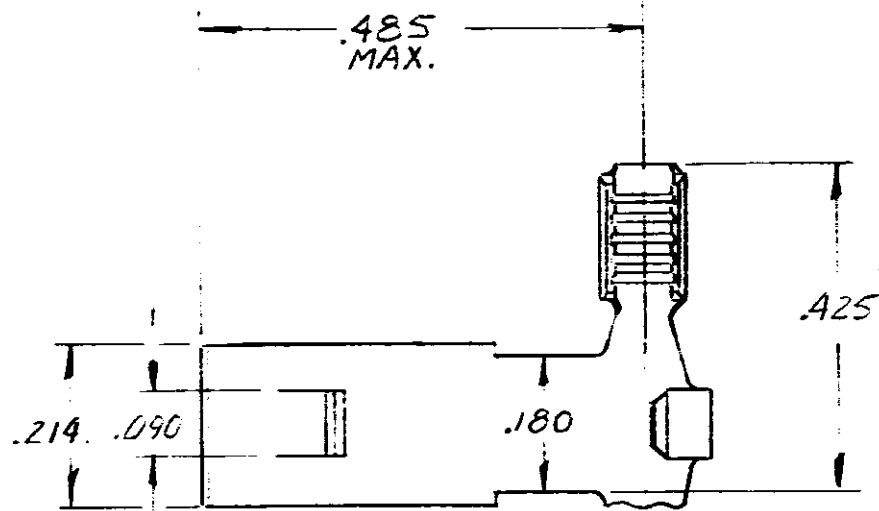


NUMBER
61148



LEFT HAND ILLUSTRATION

WIRE SIZE CMA.	INSULATION RANGE	MATERIAL AND FINISH	TERMINAL NO
700-2400	.095-.115	.018 PHOS. BRONZE - NONE	61148-1
		.018 PHOS. BRONZE - FIN	61148-2

CONTINUES STRIP ON REELS

DIMENSIONS IN INCHES. DO NOT SCALE PRINT.

J	OBsolete - 2 M-1640	MF	BY	4-1-64
H	RELEASED P.A.K	RLT	BY	7-7-64
G	REMOVED STOCK A-3587	BY		7/14/64
F	REVISED PER 2478	BB	ONE	8-7-64
E	REVISED PER 2431	BB	J.C.S	5-29-64
D	REVISED PRINT DIST.	BB	P.P.	7-1-64
C	REMOVED CH.S.H N.P.S.	EMP	BY	7/16/64
B	REVISED PRINTING	EMP	BY	7/16/64
A	ADDED .042 .032	M.P.S.	BY	7/16/64
C	RELEASED	M.P.S.	BY	7/16/64
TR	REVISION RECORD	DR	CHK	DATE
DR	1-26-67 EM FORTONAVAGE	DE	S.F. N.P.F.R	1-31-67
CHK	L.7 1/1-31-67	DE	C.H. Temple	1/31/67

© 1967 BY AMP INCORPORATED. ALL RIGHTS RESERVED. AMP PRODUCTS COVERED BY PATENTS AND/OR PATENTS PENDING.

CUSTOMER COPY
REFERENCE ONLY

MATERIAL AND FINISH



AMP INCORPORATED
HARRISBURG, PENNA.

WIRE — RANGE — INSULATION

CLASS

TOLERANCE EXCEPT AS NOTED ± .015

SCALE ± 1°

TYPE

LOC AF

NO 61148

REV J

NAME
AMPLIVAR BRUSH CONTACT